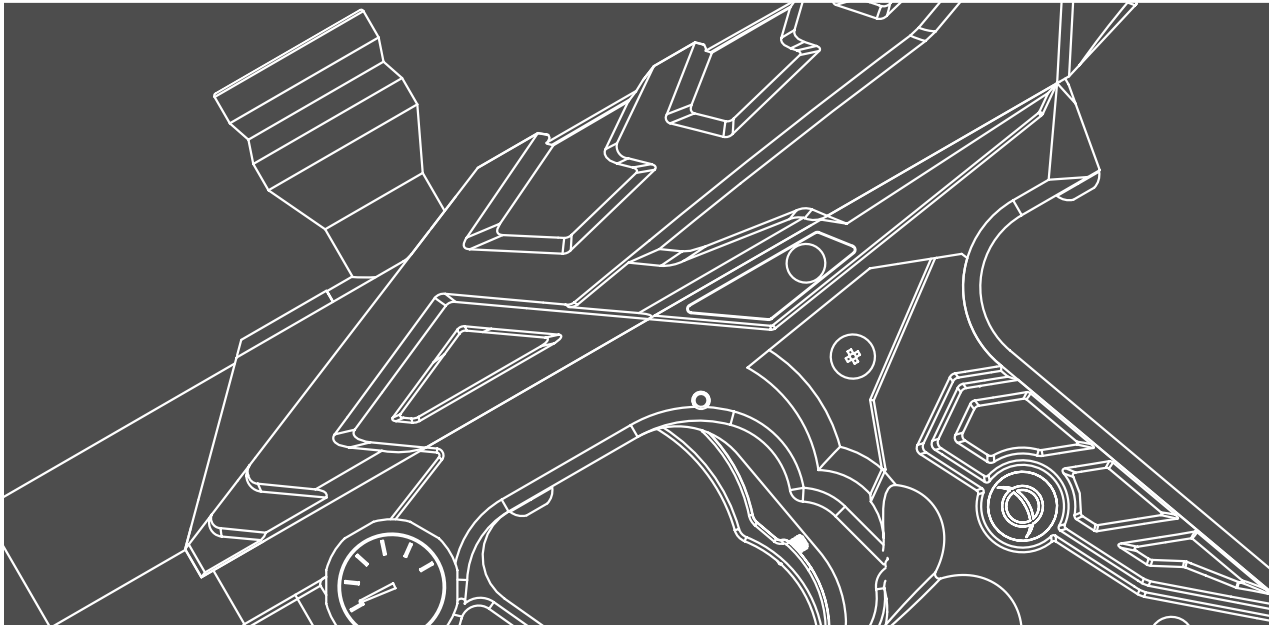
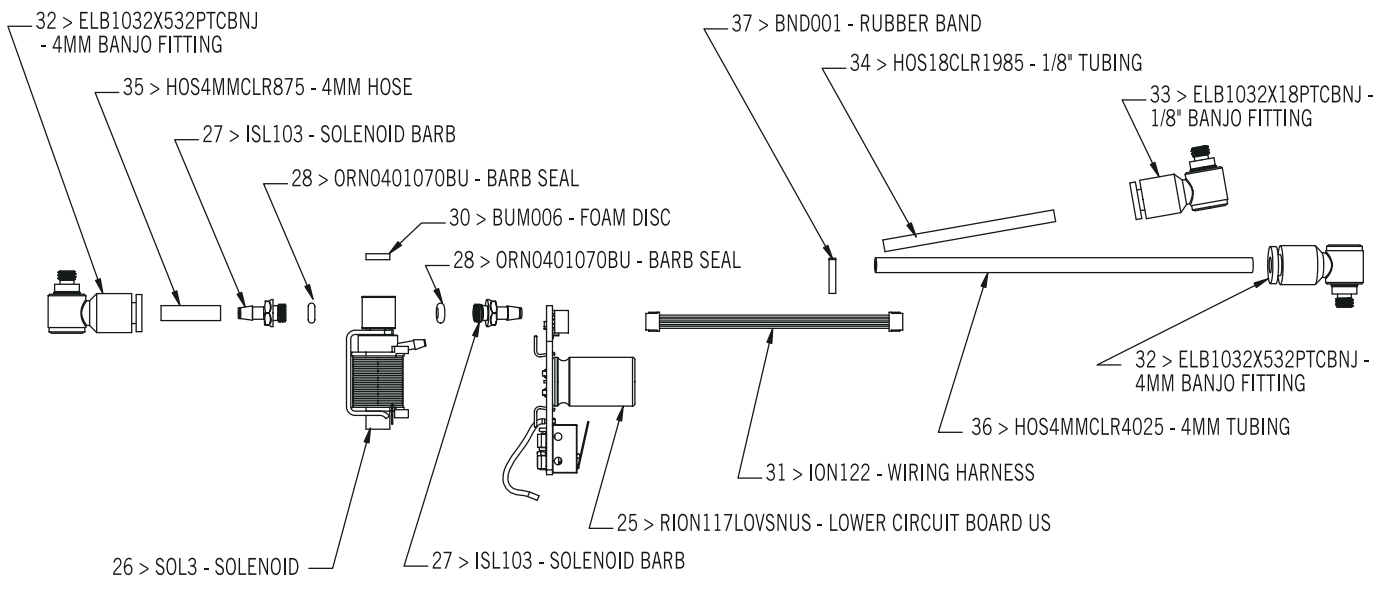
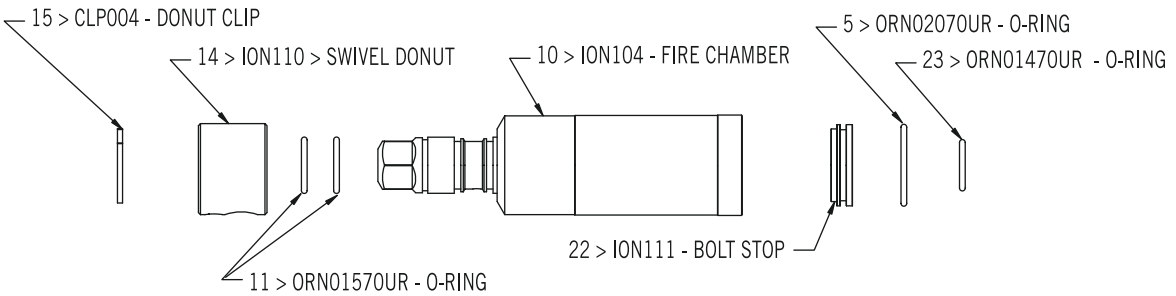
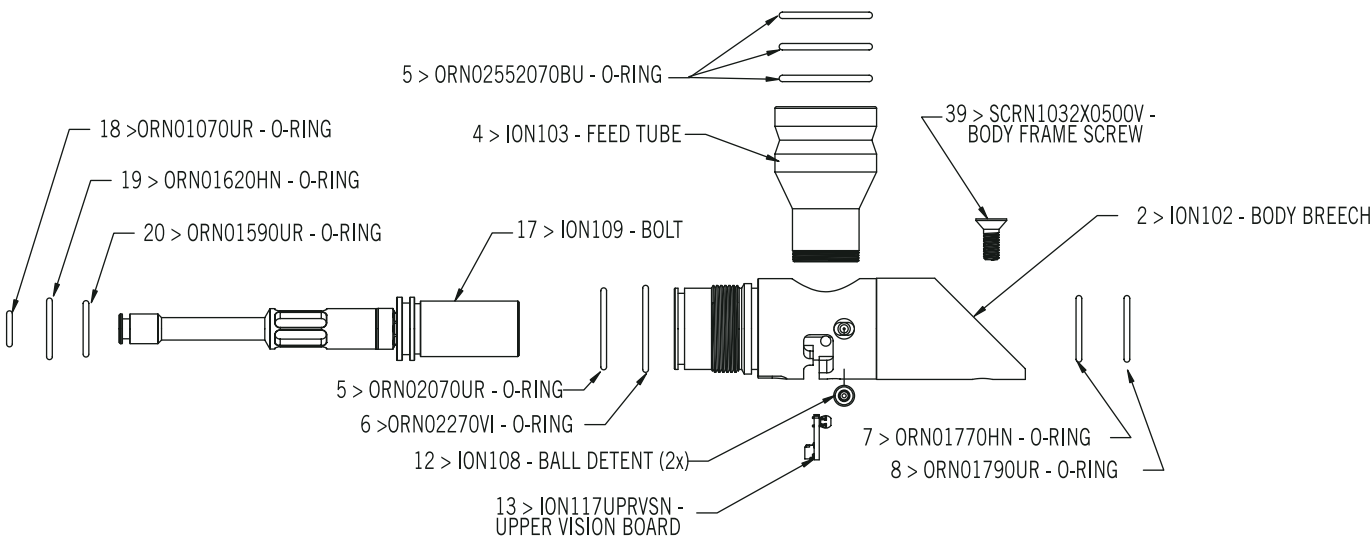
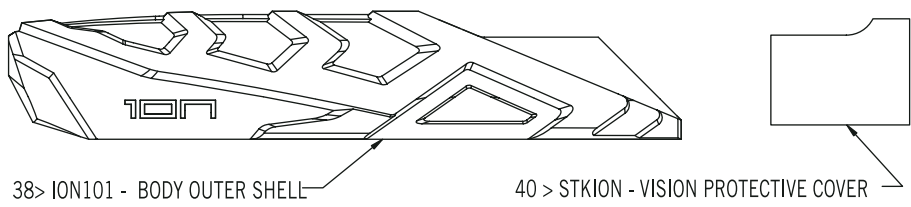


# ION PARTS & SPARES

REVISED | FEBRUARY | 2005



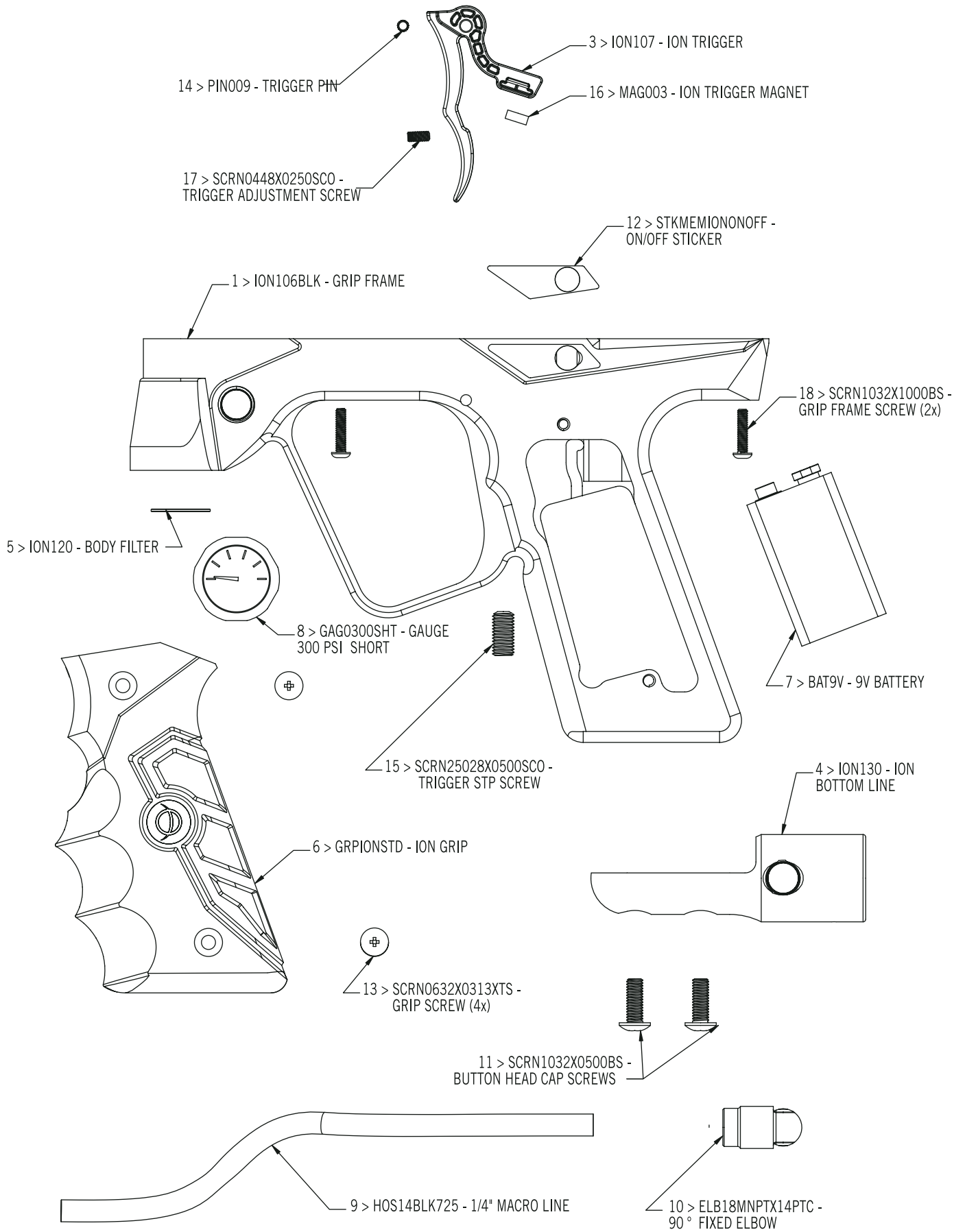
# BODY DIAGRAM



## BODY ASSEMBLY

ITEM	PART #	DESCRIPTION	QTY	MSRP	B/D
	ION101USASM	COMPLETE BODY ASSEMBLY comprising 1,9,16,21,29,38,39 and 40			
1	ION102ASM	BODY BREECH ASSEMBLY comprising 2,3,4,5,6,7, and 8.	1.00	49.95	32.50
2	ION102	BODY BREECH	1.00		
3	ION103	FEED TUBE	1.00		
4	ORN02552070BU	FEED TUBE SEALS	3.00	0.50	0.35
5	ORN02070UR	BODY FRONT/STOP SEALS	2.00	1.50	0.90
6	ORN02270VI	OUTER BODY SEAL	1.00	0.50	0.35
7	ORN01770HN	BOLT GUIDE SEAL	1.00	1.50	0.90
8	ORN01790UR	BOLT TIP SEAL	1.00	1.50	0.90
9	ION104ASM	FIRE CHAMBER ASSEMBLY comprising 10 and 11	1.00	35.00	24.00
10	ION104	FIRE CHAMBER	1.00		
11	ORN01570UR	FIRE CHAMBER SEALS	2.00	1.50	0.90
12	ION108	BALL DETENTS	2.00	3.00	2.00
13	10N117UPRVSN	UPPER VISION BOARD	1.00	20.00	12.00
14	ION110	SWIVEL DONUT	1.00	10.00	7.00
15	CLP004	DONUT CIRCLIP	1.00	0.50	0.35
16	ION109ASM	BOLT ASSEMBLY comprising 17,18 and19	1.00	25.00	15.00
17	ION109	BOLT	1.00		
18	ORN01070UR	BOLT REAR SEAL	1.00	1.50	0.90
19	ORN0162070HN	BOLT MAIN SEAL	1.00	1.50	0.90
20	ORN01590UR	BOLT BUMPER SEAL	1.00	1.50	0.90
21	ION111ASM	BOLT STOP ASSEMBLY comprising 5,22 and 23	1.00	10.00	6.00
22	ION111	BOLT STOP	1.00		
23	ORN01470UR	BOLT STOP INNER SEAL	1.00	1.50	0.90
24	ION117LOVSNUS	SOLENOID ASSEMBLY US. comprising 25,26,27 and 28	1.00	75.00	45.00
25	RION117LOVSNUS	LOWER BOARD US	1.00		
26	SOL3	SOLENOID	1.00		
27	ISL103	SOLENOID BARBS	2.00	4.00	3.00
28	ORN0401070BU	BARB SEALS	2.00	0.50	0.35
29	ION117LOVSNUSASM	SOLENOID/HOSE ASSM. US comprising 24,30,31,32,33,34,35,36 and 37	1.00	90.00	60.00
30	BUM006	FOAM DISC	1.00	0.50	0.35
31	ION122	WIRING HARNESS	1.00	4.00	3.00
32	ELB1032X532PTCBNJ	5/32 SWIVEL BANJO	2.00	5.00	3.50
33	ELB1032X18PTCBNJ	1/8 SWIVEL BANJO	1.00	5.00	3.50
34	HOS18CLR1985	1/8.HOSE 1.985" LG	1.00	0.50	0.35
35	HOS4MMCLR875	4.MM HOSE .875" LG	1.00	0.50	0.35
36	HOS4MMCLR4025	4.MM HOSE .4025" LG	1.00	0.50	0.35
37	BND001	RUBBER BAND	1.00	0.05	0.35
38	ION101	BODY OUTER SHELL	1.00	29.95	20.00
39	SCRN1032X0500VO	BODY FRAME SCREW	1.00	0.50	0.35
40	STKIONVSN	VISION PROTECTIVE COVER	1.00	1.50	0.35

# GRIP FRAME DIAGRAM

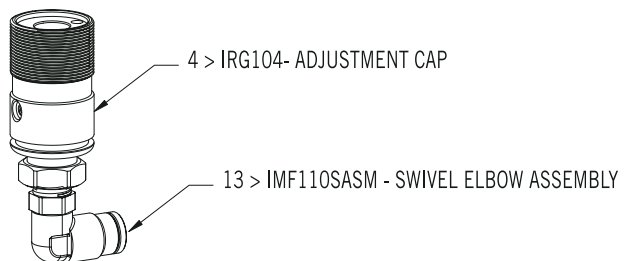
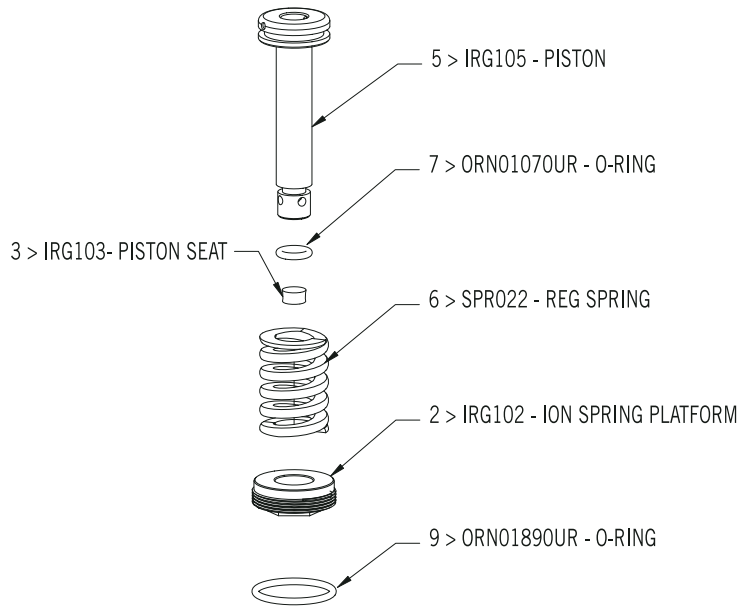
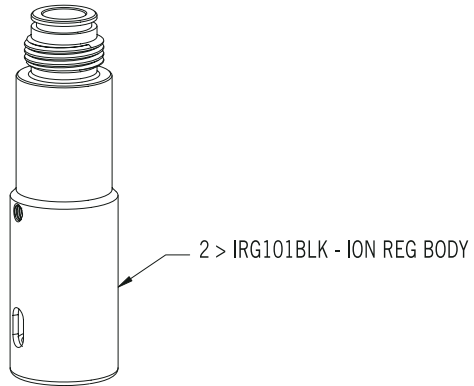
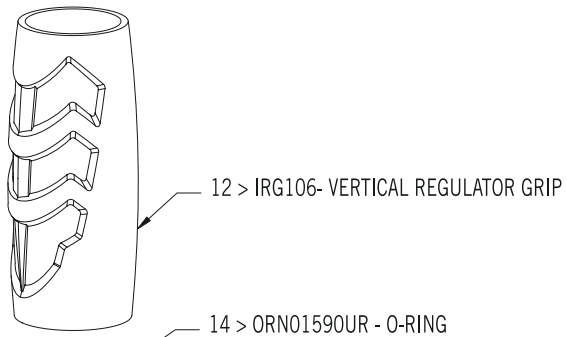


## GRIP FRAME ASSEMBLY

ITEM	PART #	DESCRIPTION	QTY	MSRP	B/D
	ION106ASM	ION GRIPFRAME ASSEMBLY	1.00	139.95	99.95
1	ION106BLK	GRIP FRAME	1.00	70.00	45.00
2	ION107ASM	TRIGGER ASSEMBLY comprising 2,15 and 16	1.00	12.00	6.00
3	ION107	TRIGGER	1.00		
4	ION130	BOTTOM LINE	1.00	20.00	14.00
5	ION120	BODY FILTER	1.00	5.00	3.00
6	GRPIONSTD	GRIP	1.00	15.00	8.00
7	BAT9V	BATTERY	1.00	3.00	2.25
8	GAG0300SHT	300 PSI GAGE	1.00	10.00	6.00
9	HOS14BLK725	1/4.OD. MACRO LINE 7.25" LG	1.00	1.50	0.90
10	ELB18MNPTX14PTC	FIXED ELBOW	1.00	6.00	4.20
11	SCRN1032X0500BS	BOTTOM LINE SCREWS	2.00	0.50	0.35
12	STKMENIONON/OFF	ON/OFF STICKER	1.00	0.50	0.35
13	SCRN0632X0313XTS	GRIP SCREWS	4.00	0.50	0.35
14	PIN009	TRIGGER PIN	1.00	0.50	0.35
15	SCRN25028X0500SCO	TRIGGER STOP SCREW	1.00	0.50	0.35
16	MAG003	TRIGGER MAGNET	1.00	1.50	0.90
17	SCRN0448X0250SCO	TIGGER ADJ. SCREW	2.00	0.50	0.35
18	SCRN1032X1000BS	MAIN FRAME SCREWS	2.00	0.50	0.35
19	IONVREG	ION REG ASSEMBLY	1.00	49.95	32.50
20	ION200	ION SEAL/SPARES KIT	1.00	20.00	14.00
21	ION120	BODY FILTER	1.00		
22	ORN01070UR	REG. PISTON SEAL SMALL	1.00		
23	ORN01470UR	BOLT STOP INNER SEAL	1.00		
24	ORN01570UR	FIRE CHAMBER SEALS	2.00		
25	ORN01590UR	BOLT BUMPER/ASA SEALS	2.00		
26	ORN0162070HN	BOLT MAIN SEAL	1.00		
27	ORN01670UR	REG PISTON SEAL LARGE	1.00		
28	ORN01770HN	BOLT GUIDE SEAL	1.00		
29	ORN01790UR	BOLT TIP SEAL	1.00		
30	ORN01890UR	REG. ADJ. CAP SEAL	1.00		
31	ORN02070UR	BODY FRONT/STOP SEALS	2.00		
32	ORN02270BU	OUTER BODY SEAL	1.00		
33	ORN02552070BU	FEED TUBE SEALS	3.00		
34	ORN040170BU	SOLENOID BARB SEALS	2.00		
35	LUB3314	LUBE 1/4 OZ.	1.00		
36	IRG103	PISTON SEAT	1.00		
37	BND001	RUBBER BAND	1.00		
38	ION201	ION SCREW KIT	1.00	5.00	3.00
39	SCRN0440X0188CO	REG SAFETY SCREW	1.00		
40	SCRN0448X0250SCO	TRIGGER ADJ. SCREW	1.00		
41	SCRN25028X0500SCO	TRIGGER BOTM. ADJ. SCREW	1.00		
42	SCRN0632X0313XTS	GRIP SCREWS	4.00		
43	SCRN1032X0500BS	BOTTOM LINE SCREWS	2.00		
44	SCRN1032X1000BS	MAIN FRAME SCREWS	2.00		
45	SCRN1032X0125SCO	REG LOCKING SCREW	1.00		
46	SCRN1032X0500VO	BODY FRAME SCREW	1.00		
47	PIN009	TIGGER PIN	1.00		

# REGULATOR DIAGRAM

- 11 > SCRN1032X0125SCO - LOCK SCREW
- 10 > SCRN0440X0188CO - SAFETY SCREW



REGULATOR ASSEMBLY
--------------------

ITEM	PART #	DESCRIPTION	QTY	MSRP	B/D
	IONVREG	ION REGULATOR ASSEMBLY	1.00	49.95	32.50
1	IRG101BLK	BODY	1.00	18.00	12.00
2	IRG102	SPRING LOCATOR	1.00	5.00	3.00
3	IRG103	PISTON SEAT	1.00	1.50	0.90
4	IRG104	ADJUSTMENT CAP	1.00		
5	IRG105	PISTON	1.00		
6	SPR022	SPRING	1.00	5.00	3.00
7	ORN01070UR	SMALL PISTON SEAL	1.00	1.50	0.90
8	ORN01670UR	LARGE PISTON SEAL	1.00	1.50	0.90
9	ORN01890UR	ADJUSTMENT CAP SEAL	1.00	1.50	0.90
10	SCRN0440X0188CO	SAFETY SCREW	1.00	0.50	0.35
11	SCRN1032X0125SCO	LOCKING SCREW	1.00	0.50	0.35
12	IRG106	REG GRIP	1.00	5.00	3.00
13	IMF110SASM	SWIVEL ELBOW ASSEMBLY	1.00	6.00	3.50
14	ORN01590UR	REG. ASA SEAL	1.00	1.50	0.90
15	IRG105ASM	ION REG PISTON ASSEMBLY comprising 3,5,7,and 8	1.00	12.00	8.00
16	IRG104ASM	ADJUSTMENT CAP ASSEMBLY comprising 4,9,and13	1.00	18.00	13.00
	IRG200	ION REGULATOR SPARES KIT	1.00	7.50	4.00
17	ORN01070UR	SMALL PISTON SEAL	1.00		
18	ORN01670UR	LARGE PISTON SEAL	1.00		
19	ORN01890UR	ADJUSTMENT CAP SEAL	1.00		
20	SCRN0440X0188CO	SAFETY SCREW	1.00		
21	SCRN1032X0125SCO	LOCKING SCREW	1.00		
22	IRG103	PISTON SEAT	1.00		
23	LUB3314	LUBE.1/4.OZ	1.00		
24	ORN01590UR	REG. ASA SEAL	1.00		
25	ION202	ION SOLENOID HOSE KIT	1.00	3.00	2.00
26	HOS18CLR1985	1/8.HOSE 1.985" LG	1.00		
27	HOS4MMCLR875	4.MM HOSE 0.875" LG	1.00		
28	HOS4MMCLR4025	4.MM HOSE 4.025" LG	1.00		
29	BND001	RUBBER BAND	1.00		

## **Ordering**

By Phone: Call us at 800-992-2147 and speak with one of our knowledgeable salespeople.  
Business hours are: Monday thru Friday 10:00am eastern to 6:00pm pacific.

By Fax: Simply fax your order to 724-539-2298.

Include your name, address, & phone number. Please indicate payment method.

By Mail: Send your order along with name, address and phone number to:

Smart Parts, PO Box 3200, Latrobe, PA 15650. Please indicate preferred payment method.

By Web: [www.smartparts.com](http://www.smartparts.com) is always open.

## **Payment**

Credit Cards: Visa, MC, AMEX and Discover

UPS C.O.D. (Company Check with approved credit only)

Bank Wire Transfer, Check or Money Order

## **Delivery**

Shipping Information: All orders UPS Ground unless specified otherwise.

You can upgrade to Second Day or Next Day Air upon request.

For International orders, UPS and US Mail are recommended.

## **Return Policy**

No returns on markers. No returns after 14 days upon receipt of goods. All returns must call for an RMA# before being sent to Smart Parts.

All prices subject to change. Not responsible for typographical errors.

**SMART PARTS INCORPORATED** | 100 Station Street | Loyahanna, PA 15661

© 2004 SMART PARTS, INC. Smart Parts™, Crosshair® logo, Equipment Counts®, ION™ marker, Nerve™ marker, Shocker Sport® marker, Impulse® and Impulse® Vision™ markers, The Freak® barrel system, All-American™ barrel, Tear Drop™ barrel, Progressive™ barrel, Max-Flo™ regulator, Chigos™ pants, and Sniper™ squeegee are trademarks or registered trademarks owned by Smart Parts, Inc. Nerve, Shocker Sport, Impulse and their accessories are covered by patents: 6,474,326 B1; 6,035,843; 5,881,707; 5,967,133; 5,755,213; 5,957,119; 5,228,427. Smart Parts barrels are covered by patent: 5,228,427. Max-Flo® is covered by patents: 5,755,213; 5,957,119. Additional patents pending. Autococker™ is a trademark of WGP. E-Blade™ is a trademark of Planet Eclipse.