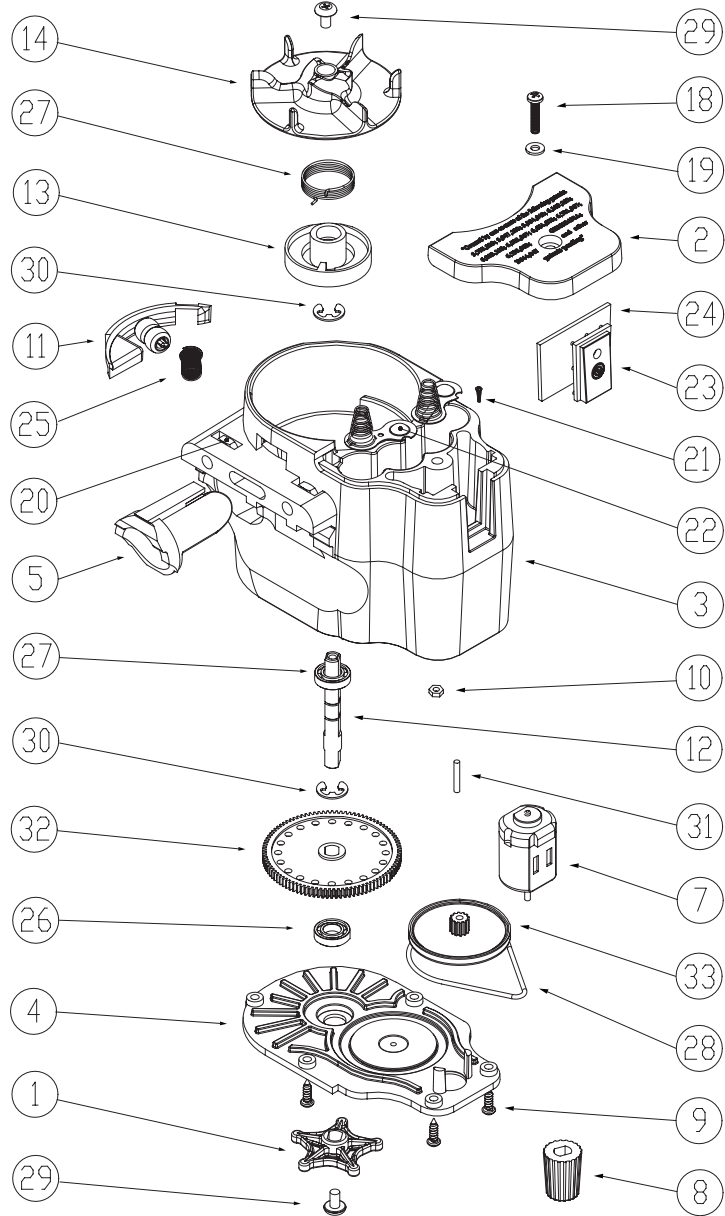
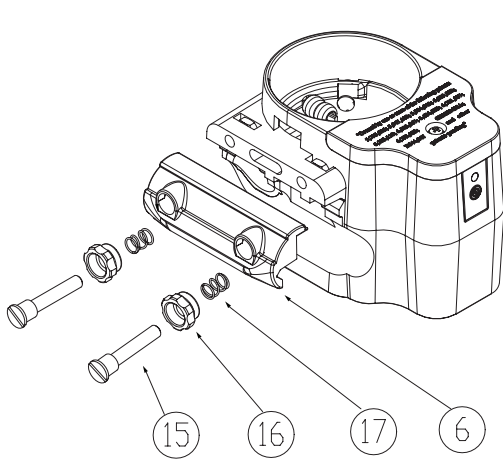


# BT™ Rip-Clip™ Loader



description	item no.
1 Rip Drive 2 Wheel	31023
2 Battery Cover Assembly	38413
3 Rip Clip Body	38458
4 Bottom Cover	38416
5 Ball Sleeve	38421
6 Rail Locking Arm	38422
7 Motor w/ Harness	38423
8 Thumb Rip Wheel	38424
9 Bottom Panel Screw	38425
10 Battery Cover Nut	38426
11 Anti Jam Assembly	38427
12 Drive Shaft	38428
13 Spring Housing	38429
14 Drive Carrier	38430
15 Rail Locking Screw	38432
16 Rail Locking Thumb Nut	38433
17 Rail Locking Spring	38434
18 Battery Cover Screw	38435
19 Battery Cover Washer	38436
20 Rail Locking Body Nut	38457
21 Battery Spring Tab Screw	38440
22 Battery Spring Tab	38441
23 On/Off Button Pad	38442
24 Circuit Board	38443
25 Anti Jam Spring	38800
26 Bearing	38803
27 Drive Cone Spring	38814
28 Drive Belt	38820
29 Drive Shaft Screw	38822
30 E-Clip	38823
31 Pulley Gear Pin	38828
32 Sprocket Gear	38830
33 Pulley Gear	38837
Polarity Sticker (not shown)	38438
200 Round Loader (not shown)	38604