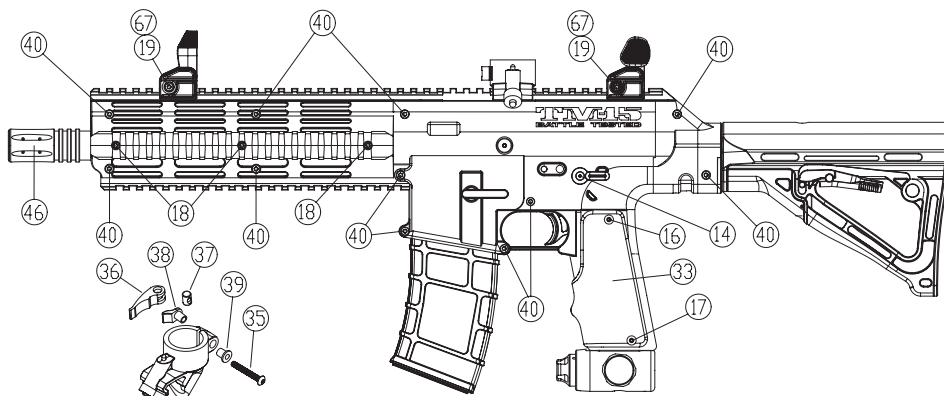
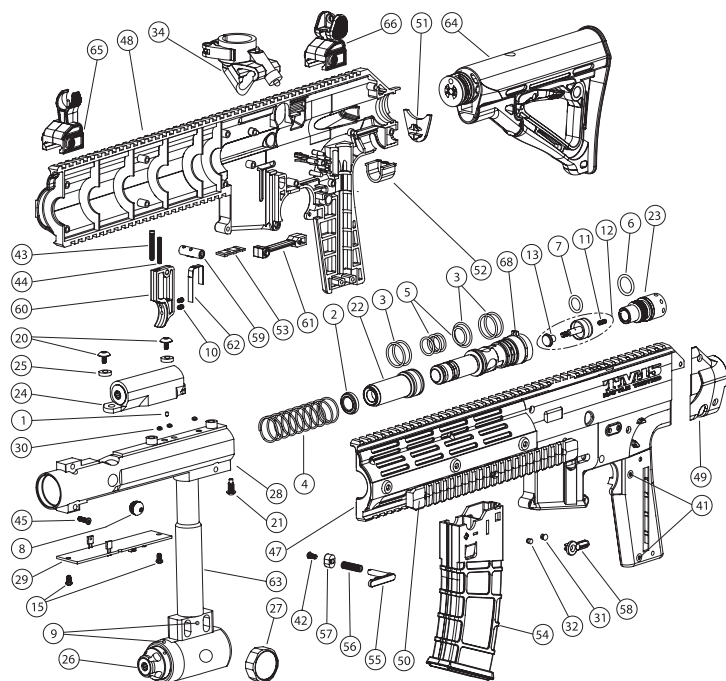


**BT™
TM-15™**



description	item no.
-------------	----------

1 Check Valve (Air Restrictor)	17531
2 Bolt Rubber Tip	17533
3 Bolt / Bolt Guide Large O-ring	17534
4 Spring Main	17535
5 Bolt Guide Small O-ring	17537
6 Bolt Guide Cap O-ring	17538
7 Poppet O-ring	17540
8 Ball Detent Assembly (Complete)	17541
9 Regulator Cap Set Screw (4-48 X .125 Cup Point)	17599
10 Trigger Set Screw (6-32 X .250 Flat Point)	17602
11 Poppet Spring	17623
12 Poppet Assembly (With Replaceable Tip)	17628
13 Poppet Seal	17629
14 Selector Screw (Flat Head 4-40 X .5)	17650
15 Circuit Board Screw (Button Head 6-32 X .157)	17652
16 Grip Screw-top (Button Head 6-32 X .250)	17653
17 Grip Screw-bottom (Button Head 6-32 X .438)	17654
18 Picatinny Rail Screw (Socket Head 6-32 X .5)	17655
19 Folding Sight Hex Nut (6-32 .25 Wide X .092 Thick)	17657
20 Solenoid Screw (Button Head 10-24 X .250)	17658
21 Bolt Guide Retention Screw (Custom)	17659
22 Bolt	17661
23 Bolt Guide Cap	17664
24 Solenoid Assembly (Complete)	17665
25 Solenoid Spacer (Brass)	17670
26 Regulator Assembly (Complete)	17671

description	item no.
-------------	----------

27 Regulator Gauge (Plain 300 Psi)	17672
28 Main Body	17677
29 Circuit Board	17679
30 Solenoid Air Transfer O-rings	17682
31 Light Pipe	17710
32 Power Button	17712
Not Shown - Battery Harness	17715
33 Rubber Grip	17717
34 Clamping Feed Elbow (Complete)	17757
35 Quick Release Screw (Button Head 8-32 X 1.250)	17759
36 Lever Quick Release	17760
37 Nut Quick Release	17761
38 Seat Quick Release	17762
39 Spacer Quick Release	17763
40 Shell Screw (Socket Head 6-32 X .625)	17810
41 Frame Screw (Flat Head 6-32 X .625)	17811
42 Magazine Release Screw (Button Head 4-40 X .250)	17812
43 Trigger Activation Set Screw (W/magnet)	17813
44 Trigger Set Screw (6-32 X 1.00 Cup Point)	17814
45 Body Retention Screw (Socket Head 6-32 X .750)	17815
46 14 Inch Barrel	17816
47 Shell Left Side	17817
48 Shell Right Side	17818
49 Shell Access Panel	17819
50 Picatinny Side Rail (Removable)	17820
51 Stock Cover Plate	17821

description	item no.
-------------	----------

52 Velocity Adjuster Cover	17822
53 Battery Harness Holder	17823
54 Magazine	17824
55 Magazine Release Arm	17825
56 Magazine Release Arm Spring	17826
57 Magazine Release Arm Spring Cap	17827
58 Selector Switch Arm	17828
59 Selector Switch Shaft (Complete With Magnets)	17829
60 Single Trigger Assembly	17830
61 Single Trigger Guard	17831
62 Trigger Spring	17832
63 Tm-15 Air Transfer Tube	17833
Not Shown	Main Wiring Harness
17834	
64 Carbine Stock Assembly (Complete)	17835
65 Front Sight (Complete W/hardware)	17843
66 Rear Sight (Complete W/hardware)	17844
Not Shown - BT Shell Jewel	17849
67 Sight Body Screw (Socket Head 6-32 X 1.125)	17850
68 Bolt Guide (Fits Tm-15 And Tm-7)	17851
Not Shown Tm-15 Rip-clip™ Adapter Plate (Rip-clip™ Not Included)	17852
Not Shown Tm-15 Rip-clip™ Rail Locking Screw Kit (Rip-clip™ Not Included)	38445