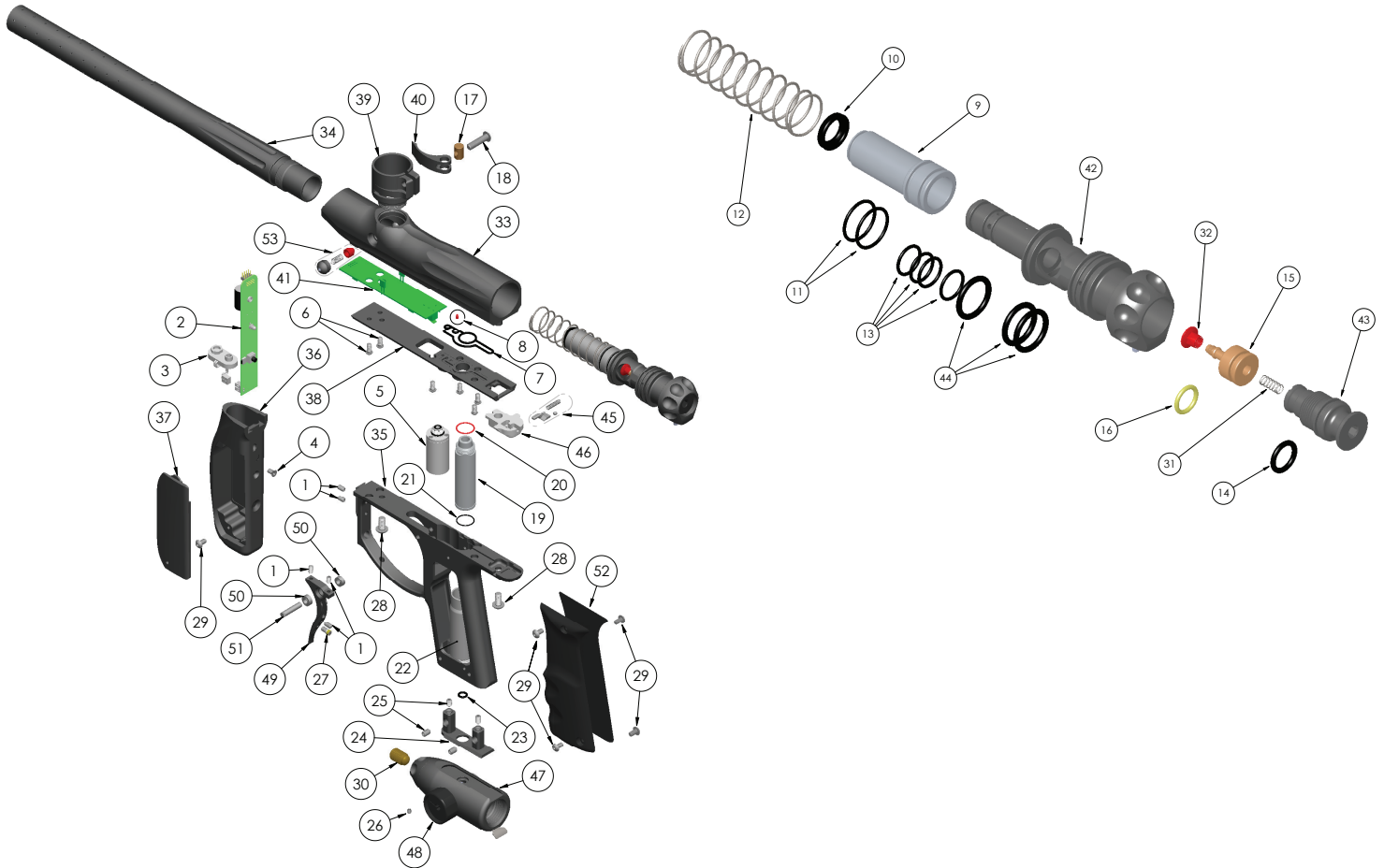


# 17. Diagrams and Parts List ....(continued)



## 17. Diagrams and Parts List

REF #	DESCRIPTION	SKU #
1	Set Screw (6-32 x .250)	17523
2	Main Board	17524
3	Battery Harness	17525
4	Board Screw	17526
5	Solenoid	17528
6	Air Transfer Plate Screw	17529
7	Air Transfer Gasket	17530
8	Check Valve	17531
9	Bolt	17532
10	Bolt Rubber Tip	17533
11	Bolt Oring	17534
12	Main Spring	17535
13	Bolt Guide Small (Front) Oring	17537
14	Bolt Guide Cap Oring	17538
15	Poppet with Spring	17539
16	Poppet Oring	17540
17	Feedneck Collar	17545
18	Feedneck Screw	17549
19	Air Transfer Tube Male Assembly	72397
20	Air Transfer Tube Male Top Oring	17552
21	Air Transfer Tube Male Bottom Oring	17553
22	Air Transfer Tube Female	17554
23	Air Transfer Tube Female Oring	17555
24	Regulator Mount	17556
25	Set Screw (10-24 x .250)	17557
26	Regulator Cap Set Screw	17599
27	Trigger Set Screw W/ Magnetic Top (chrome top)	17564
28	Primary Body Retention Screw	17565
29	Screw (BH 6-32 x .250)	17567
30	Regulator Adjustment Screw	17590
31	Poppet Spring	17623
32	Poppet Seal	17629
33	Body - Dust Black	72300
34	Barrel - Dust Black	72304
35	Grip Frame - Dust Black	72308
36	Foregrip Body - Dust Black	72312
37	Foregrip Door - Dust Black	72316

38	Air Transfer Plate - Dust Black	72319
39	Feedneck- Dust Black	72323
40	Feedneck Clamp - Dust Black	72327
41	Sensor Board	72331
42	Bolt Guide - Black Dust	72332
43	Bolt Guide Cap	72336
44	Bolt Guide Large O-ring	72340
45	Bolt Guide Lock Kit (3pc- spring, detent, button)	72341
46	Bolt Guide Release Housing	72345
47	Regulator - Dust Black (Complete)	72350
48	Black 300psi Empire gauge	72375
49	Trigger - Dust Black	72377
50	Trigger Bearing	72381
51	Trigger Pin (.155")	72394
52	Black/White Grips	72382
53	Detent Assembly- (3pc) Dust Black	72386