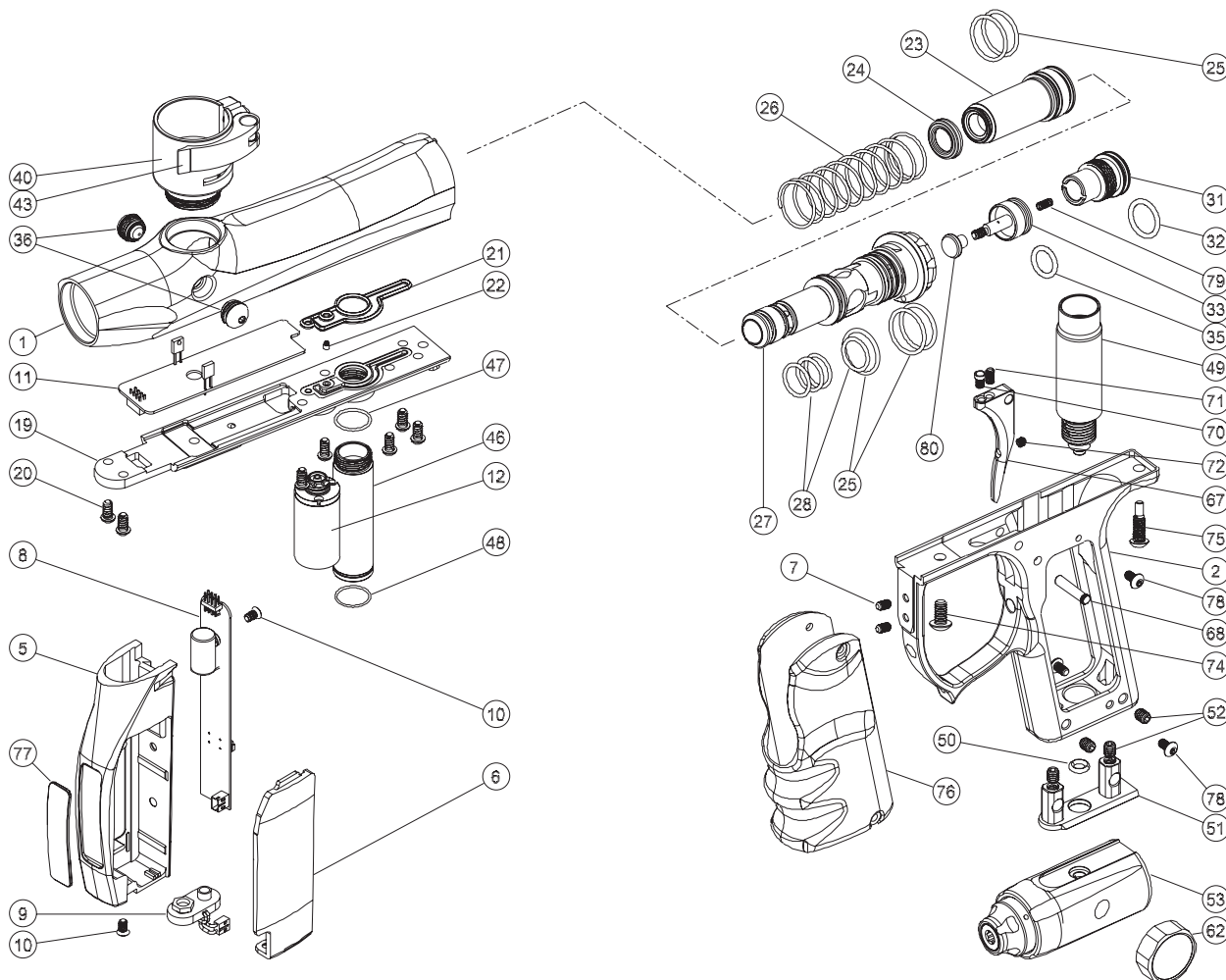


**Invert™  
Mini™**



description	item no.	description	item no.	description	item no.
1. Body (Black)	17505	25 Bolt/Bolt Guide Large O-Ring	17534	51 Regulator Mount	17556
2. Grip Frame (Black)	17509	26 Main Spring	17535	52 Regulator Mount Set Screw	17557
5. Foregrip Body (Black)	17515	27 Bolt Guide	17536	53 Bottom-line Regulator (Complete)	17558
6. Foregrip Side Plate (Black)	17519	28 Bolt Guide Small (Front) O-Ring	17537	62 Regulator Gauge	17596
7. Foregrip Retention Set Screw	17523	31 Bolt Guide Cap	17583	67 Trigger (Black)	17560
8. Main Board	17524	32 Bolt Guide Cap O-Ring	17538	68 Trigger Pin	17562
9. Battery Harness	17525	33 Poppet Assembly with Spring	17628	70 Trigger Set Screw W/ Magnetic Top	17564
10. Foregrip Screw	17526	35 Poppet O-Ring	17540	71 Trigger Set Screw Long	17602
11. Sensor Board	17527	36 Ball Detent (Complete)	17541	72 Trigger Set Screw Short	17603
12. Solenoid	17528	40 Feed Neck (Complete) (Silver Latch)	17585	74 Primary Body Retention Screw	17565
19. Air Transfer Plate (Black)	17577	43 Feed Neck Clamp (Silver)	17546	75 Bolt Guide Alignment Screw	17566
20. Air Transfer Plate Screw	17529	46 Air Transfer Tube Male	17551	76 Grips (Urban Camo)	17605
21. Air Transfer Gasket	17530	47 Air Transfer Tube Male Top O-Ring	17552	77 Foregrip Rubber (Urban Camo)	17608
22. Check Valve (Air Restrictor)	17531	48 Air Transfer Tube Male Bottom O-Ring	17553	78 Grip Panel Screw	17567
23. Bolt	17532	49 Air Transfer Tube Female	17554	79 Poppet Spring	17623
24. Bolt Rubber Tip	17533	50 Air Transfer Tube Female O-Ring	17555	80 Poppet Seal	17629