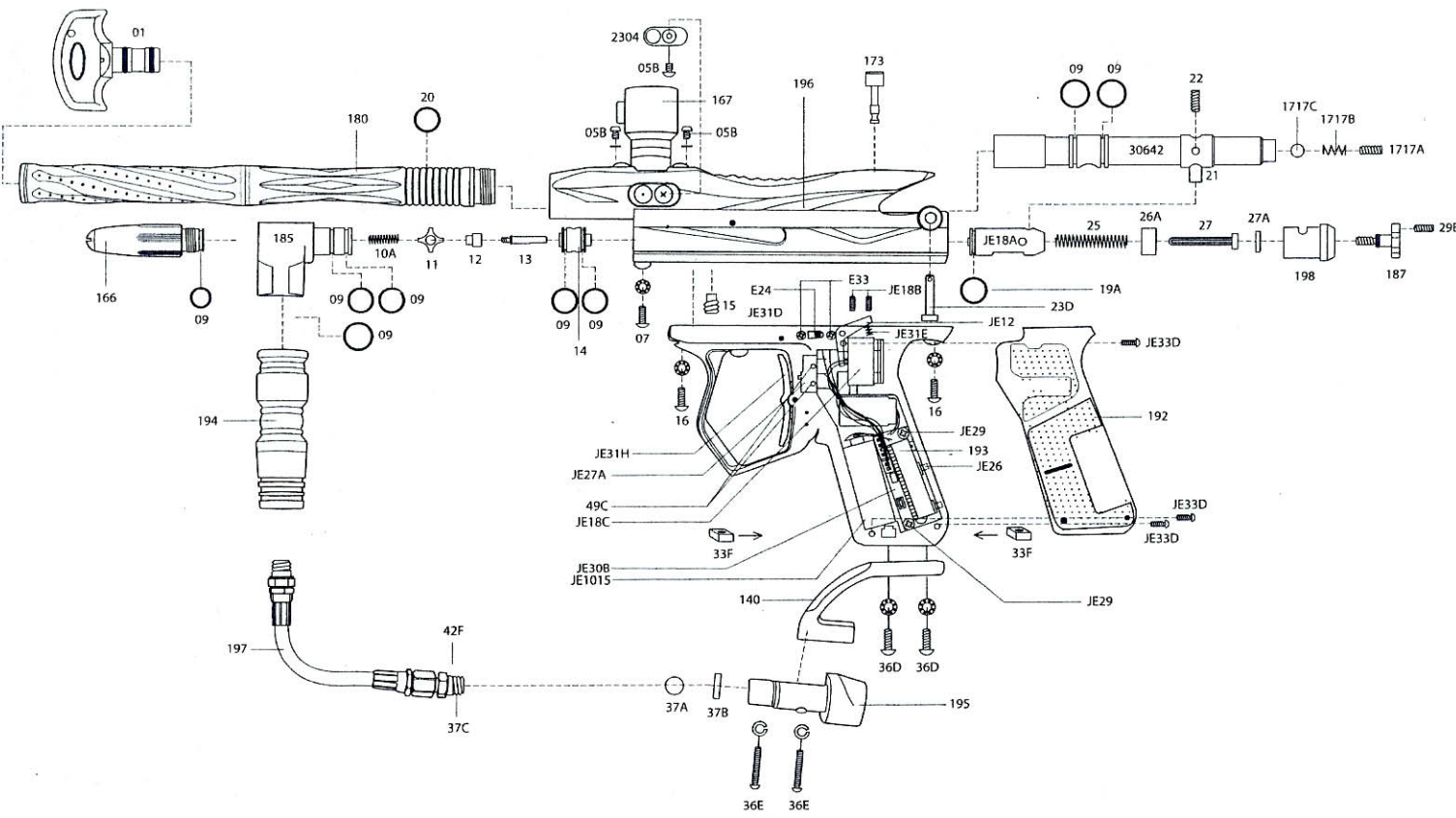


# SPYDER ELECTRA Parts List



PLEASE NOTE: The ACS bolts or other anti-chop devices are designed to help minimize ball chops. Due to varying qualities in paintballs, marker designs or weather conditions, these devices cannot completely eliminate all ball chops.

| ITEM # | NAME OF PARTS                       |
|--------|-------------------------------------|
| 195    | C/A Adapter (matte black)           |
| 173    | Top Cocking Knob                    |
| 140    | Deluxe Drop Forward (matte black)   |
| 36D    | 5/32" x 5/8" Screw                  |
| 36E    | 5/32" x 7/8" Screw (Black)          |
| 37A    | Filter O-Ring                       |
| 37B    | Air Filter                          |
| 37C    | Disconnect O-Ring #011              |
| 37D    | Plastic Washer                      |
| 197    | Disconnect Hose                     |
| 2741   | Spare Parts Kit                     |
| 194    | Expansion Chamber (matte blue)      |
| 42F    | Male to Male Adapter                |
| 49     | Trigger Roll Pin                    |
| 49B    | Secondary Sear Roll Pin             |
| 49C    | Touch Switch Roll Pin               |
| E24    | On/Off Switch with wiring harnesses |
| E24A   | Battery harness                     |
| 193    | C.A.M.D. 3.0 Circuit Board          |
| E33    | On/Off Screw (M2 x 6 Screw)         |
| JE1015 | 9.6v Rechargeable Battery           |
| JE12   | Trigger Sear                        |
| JE18C  | Coil Set                            |
| JE18B  | Coil Set Screw                      |
| JE26   | Charge Pin                          |
| JE27A  | Dual Touch Switch                   |
| JE29   | Circuit Board Screw                 |
| JE30B  | Tournament Lock Switch              |
| JE31E  | Sear Spring                         |
| JE31H  | Rocking Trigger                     |
| JE31J  | Rocking Trigger Screw (S)           |
| JE31K  | Rocking Trigger Roll Pin            |
| JE31L  | Rocking Trigger Screw (L)           |
| JE33D  | Grip Cover Screws (M3 x 10)         |

## Spyder Electra

| ITEM # | NAME OF PARTS                        |
|--------|--------------------------------------|
| 01     | Spyder Barrel Plug                   |
| 180    | 12" Competition Barrel (matte blue)  |
| 2304   | Ball Stopper (Black) f               |
| 05B    | M4 x 6 Screw (Silver)                |
| 167    | Direct Feed (m. black) f             |
| 196    | Receiver (matte blue/black)          |
| 07     | M5 x 14 Screw w/ Washer              |
| 185    | Vertical Adapter (m. black)          |
| 166    | Low Pressure Chamber (matte black)   |
| 09     | O-Ring #015 80D                      |
| 10A    | Valve Spring                         |
| 11     | Cup Seal Guide                       |
| 12     | Cup Seal                             |
| 13     | Valve Pin                            |
| 14     | Valve Body                           |
| 15     | Valve Body Screw                     |
| 16     | Frame Screw M5 x 12 Screw            |
| 30642  | ACS Cocking Bolt                     |
| 1717A  | Retaining Screw                      |
| 1717B  | Retaining Spring                     |
| 1717C  | Retaining Bearing                    |
| JE18A  | Striker Bolt                         |
| 19A    | Striker O-Ring                       |
| 20     | Barrel O-Ring                        |
| 21     | Bolt Pin                             |
| 22     | Bolt Screw                           |
| 23D    | Quick Release Pin                    |
| 198    | Striker Plug                         |
| 25     | Striker Spring                       |
| 26A    | Striker Buffer                       |
| 27     | Striker Spring Guide                 |
| 27A    | Flat Disc                            |
| 187    | Thumb Adjuster w/ screw (matte blue) |
| 29B    | Lock Screw                           |
| 192    | Rubber Grip Panel (black)            |
| 33F    | Nut Screw                            |