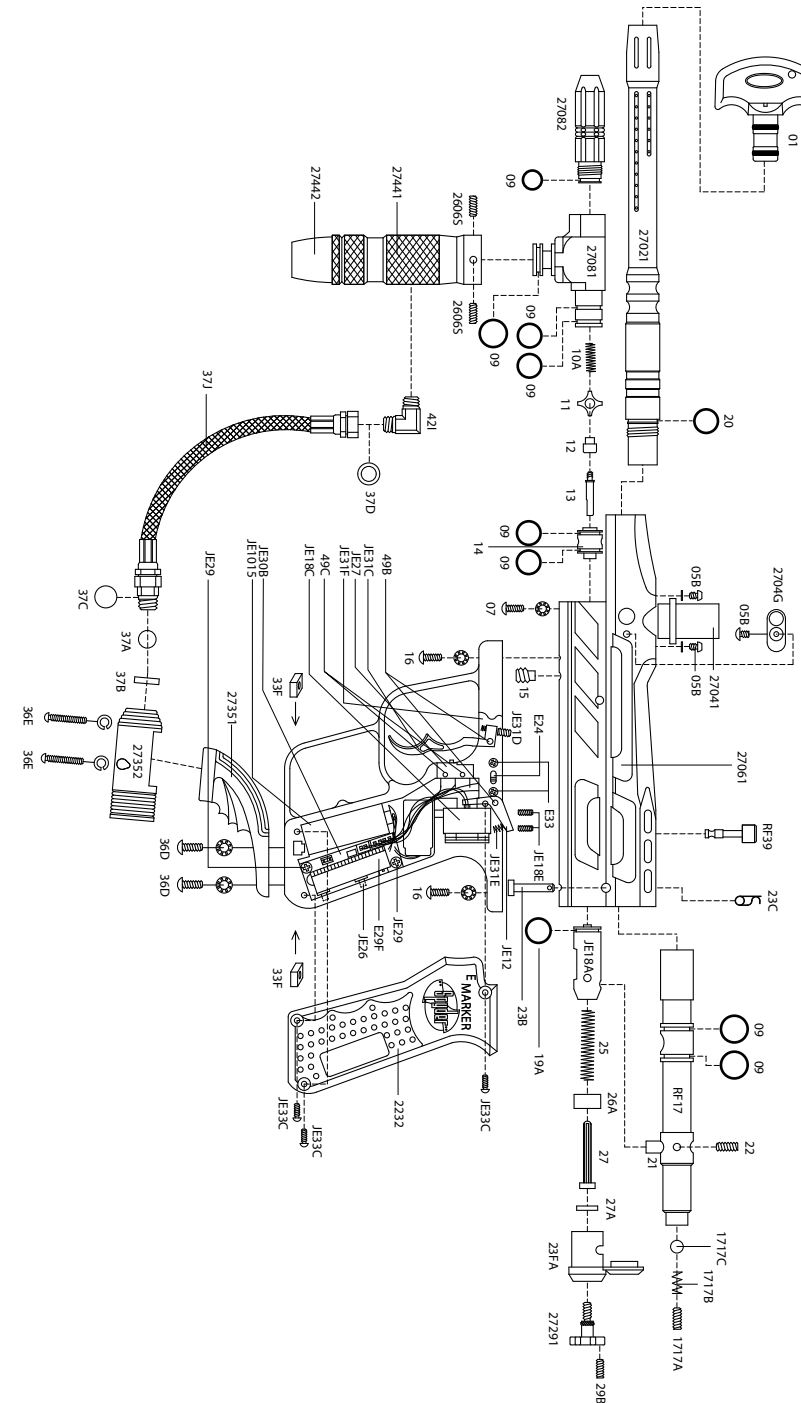


Spyder Pilot

| ITEM # | NAME OF PARTS |
|--------|---------------------------------------|
| 01 | Spyder Barrel Plug |
| 27021 | 12" Barrel (Silver) |
| 2704G | Ball Stopper w/ Detent Cover (Silver) |
| 05B | M4 x 6 Screw (Silver) |
| 27041 | Direct Feed (Silver) |
| 27061 | Receiver (Sky Blue) |
| 07 | M5 x 14 Screw w/ Washer |
| 27081 | Vertical Adapter (Sky Blue) |
| 27082 | Low Pressure Chamber (Sky Blue) |
| 09 | O-Ring #015 80D |
| 10A | Valve Spring |
| 11 | Cup Seal Guide |
| 12 | Cup Seal |
| 13 | Valve Pin |
| 14 | Valve Body |
| 15 | Valve Body Screw |
| 16 | Frame Screw M5 x 12 Screw |
| RF17 | Venturi Cocking Bolt |
| 1717A | Retaining Screw |
| 1717B | Retaining Spring |
| 1717C | Retaining Bearing |
| 19A | Striker O-Ring |
| 20 | Barrel O-Ring |
| 21 | Bolt Pin |
| 22 | Bolt Screw |
| 23B | Quick Disconnect Pin |
| 23C | Disconnect Pin Lock |
| 23FA | Striker Bolt Plug (Silver) |
| 25 | Striker Spring |
| 26A | Striker Buffer |
| 27 | Striker Spring Guide |
| 27A | Flat Disc |
| 27291 | Thumb Adjuster w/ screw (Sky Blue) |
| 29B | Lock Screw |
| 2232 | Rubber Grip Panel (Black) |
| 33F | Nut Screw |

| ITEM # | NAME OF PARTS |
|--------|-------------------------------------|
| 27352 | C/A Adapter (Sky Blue) |
| 2606S | Expansion Chamber Lock Screw |
| 2235L | Deluxe Drop Forward (Silver) |
| 36D | 5/32" x 5/8" Screw |
| 36E | 5/32" x 7/8" Screw (Black) |
| 37A | Filter O-Ring |
| 37B | Air Filter |
| 37C | Disconnect O-Ring #011 |
| 37D | Plastic Washer |
| 37J | Disconnect Hose |
| 2741 | Spare Parts Kit |
| 42I | 90 Male to Male Adapter |
| 27441 | Expansion Chamber (Sky Blue) |
| 27442 | Mini Fore Grip (Sky Blue) |
| 49B | Trigger Roll Pin |
| 49C | Touch Switch Roll Pin |
| E24 | On/Off Switch with wiring harnesses |
| E24A | Battery harness |
| E29F | C.A.M.D Circuit Board |
| E33 | On/Off Screw (M2 x 6 Screw) |
| JE1015 | Java 9.6v Rechargeable Battery |
| JE12 | Trigger Sear |
| JE18A | Striker Bolt |
| JE18C | Coil Set |
| JE18E | Coil Set Screw |
| JE26 | Charge Pin |
| JE27 | Touch Switch |
| JE28D | IPI-Tack Switch |
| JE29 | Circuit Board Screw |
| JE30B | Tournament Lock Switch |
| JE31C | Trigger |
| JE31D | Trigger Adjust Screw |
| JE31E | Sear Spring |
| JE31F | Trigger Spring |
| JE33C | Grip Cover Screws (M3 x 10) |



SPYDER Pilot Parts List