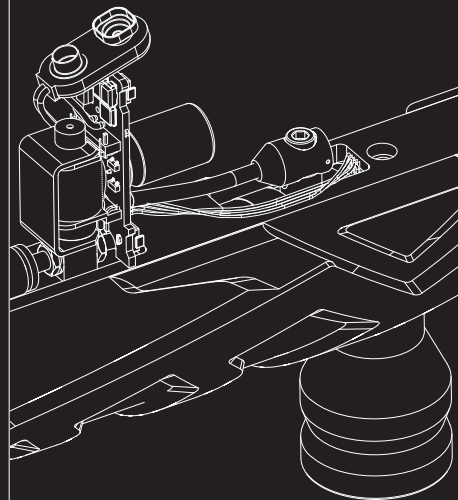
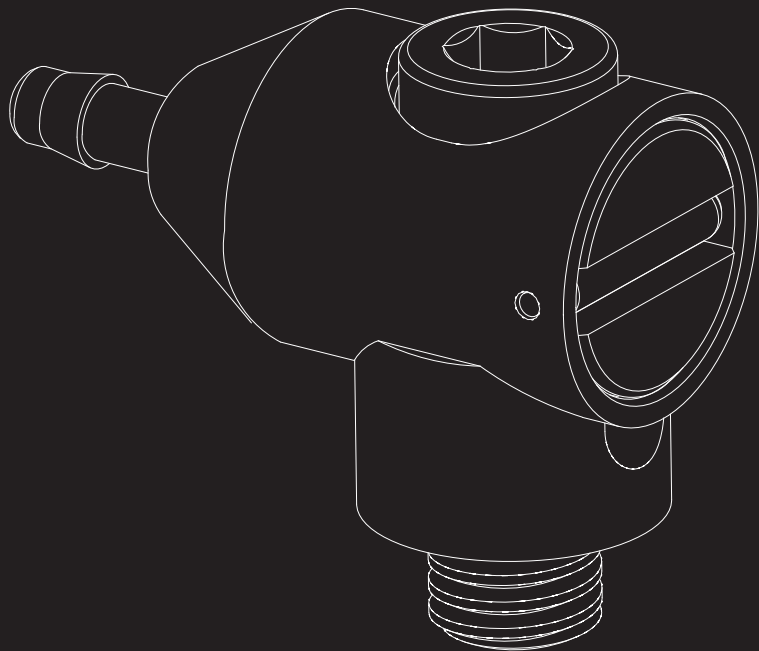


360 QEV INSTALLATION

SMART PARTS



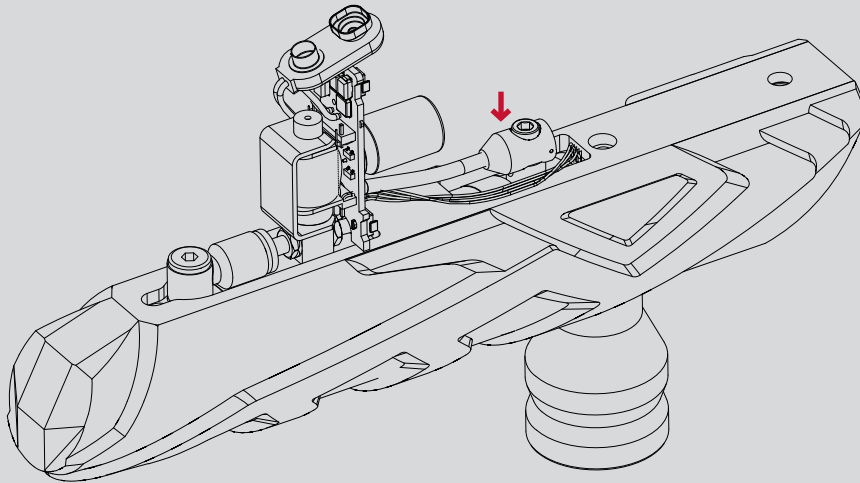
Instructions and Guidelines for installing a 360 QEV on an Ion



360 QEV INSTALLED ON AN ION

PLEASE READ CAREFULLY

FIG. 1 → 360 QEV Placement for Ion



Epiphany/SP-8/Ion: The 360 QEV allows gas to vent from the marker's body breach more quickly for improved bolt cycling times. To install, unload and degas the marker, then disassemble following the instruction manual. Remove the body breach banjo fitting from its hose (the shorter of the two hoses coming from the front of the solenoid valve) and trim 1/4-inch from the end of the hose. Install the 360 QEV in place of the banjo fitting and re-assemble. For best performance, re-optimize the dwell setting of your marker, following the instructions in its manual.

Autococker and others: The 360 QEV may be used with other markers, provided they utilize the same mount threads on their rams. The 360 QEV's unique gas-through bolt design allows for easy installation in tight spaces.

Note: 360 QEVs manufactured prior to April 2007 are not Epiphany compatible.

Newer Epiphany Rated 360 QEVs (May 2007 and later) are easily identified by the red color of their o-ring.

